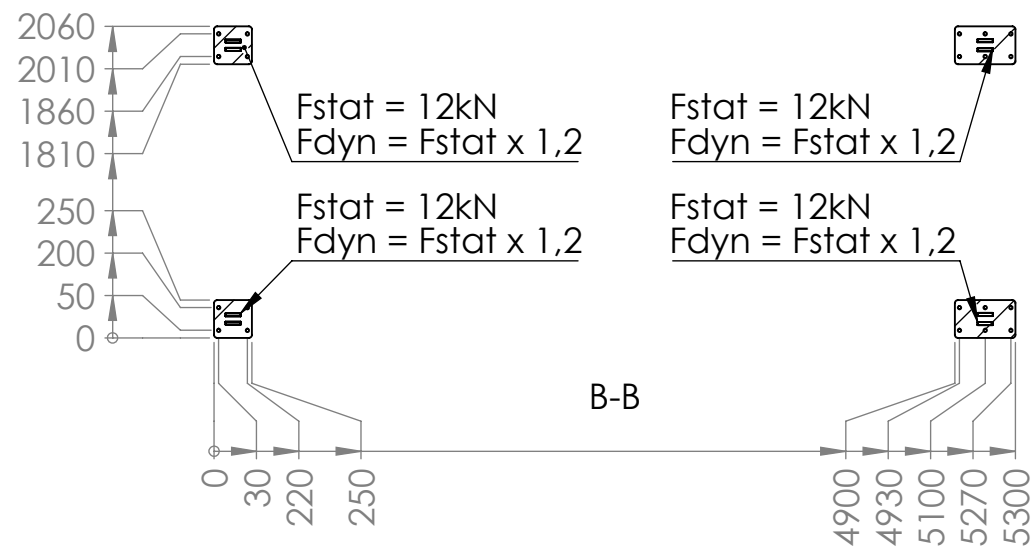
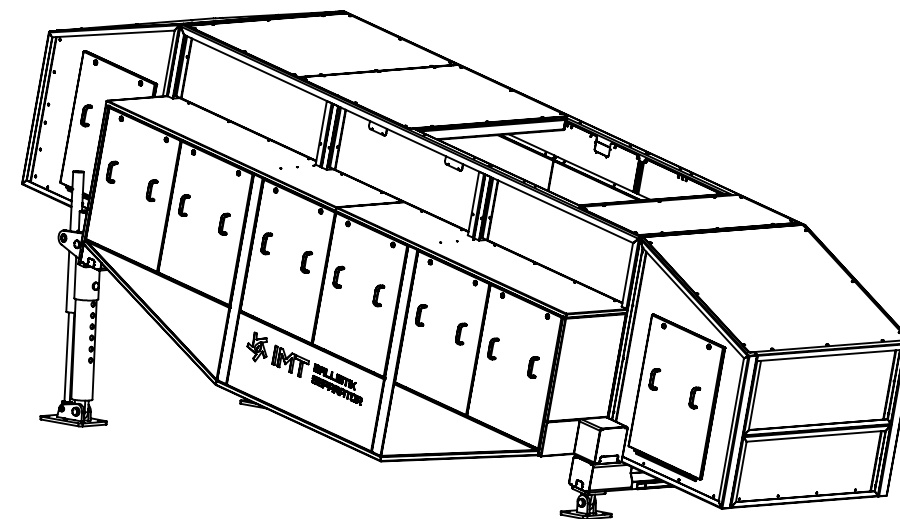
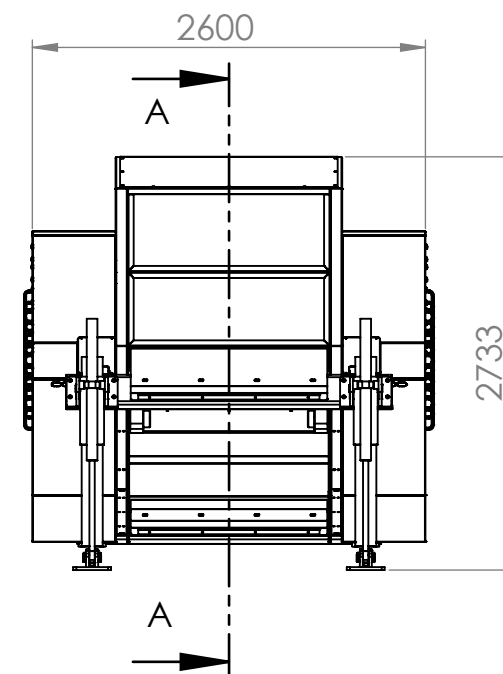
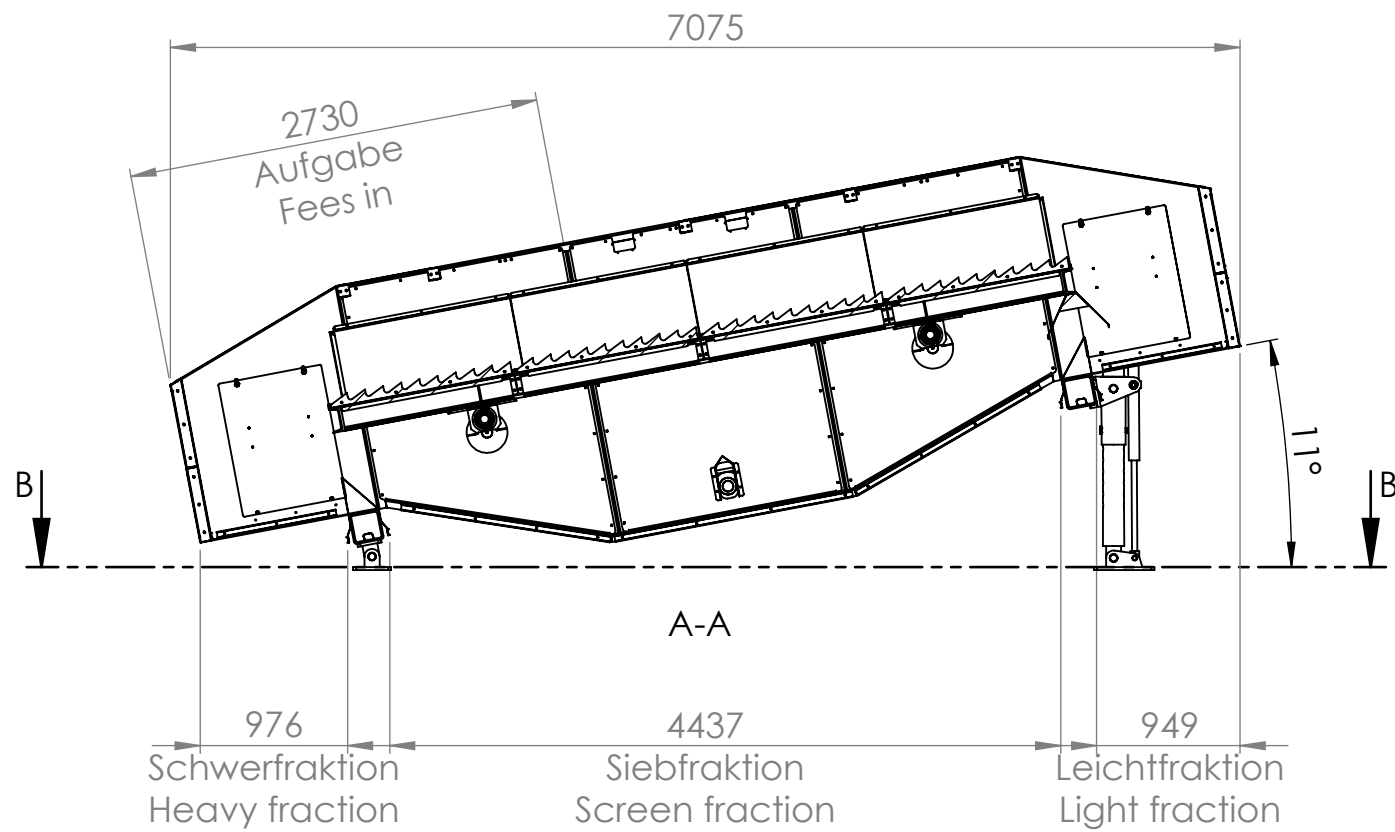


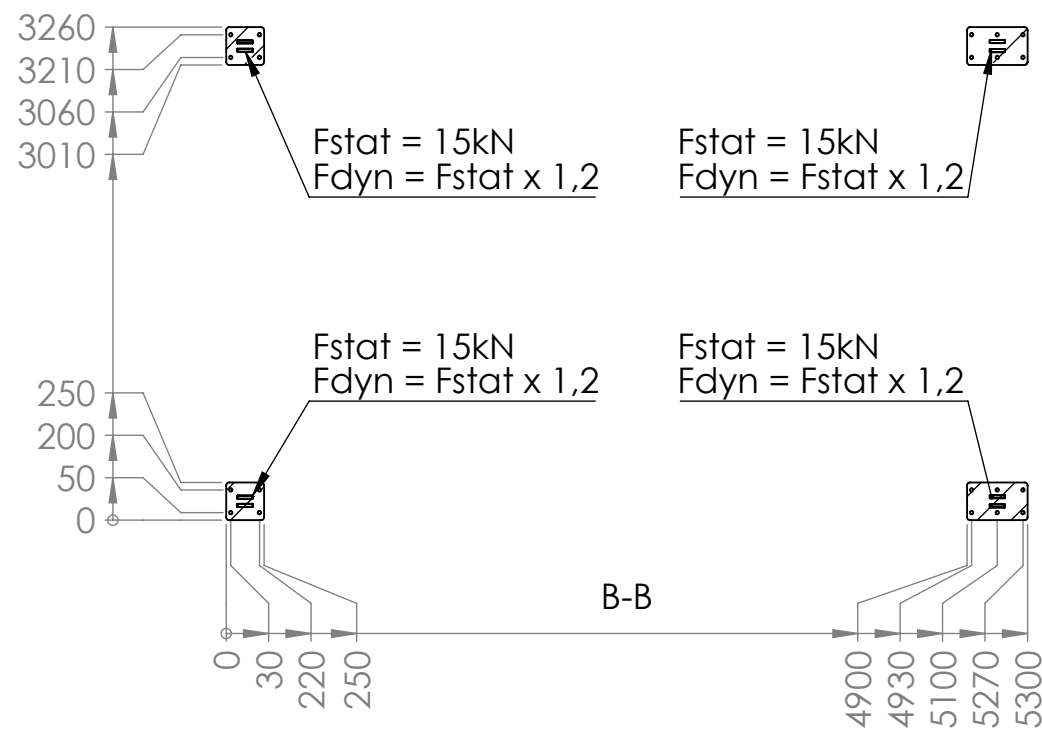
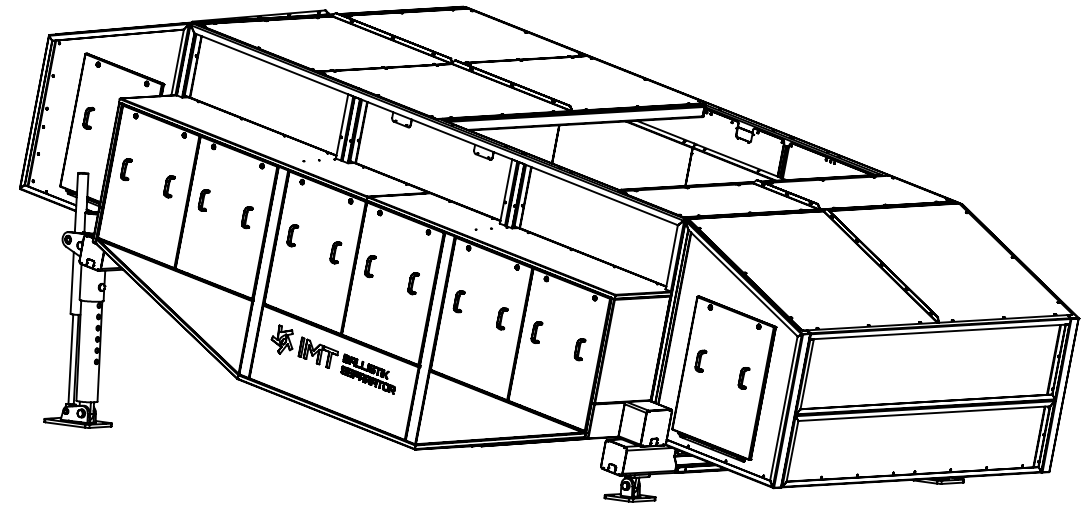
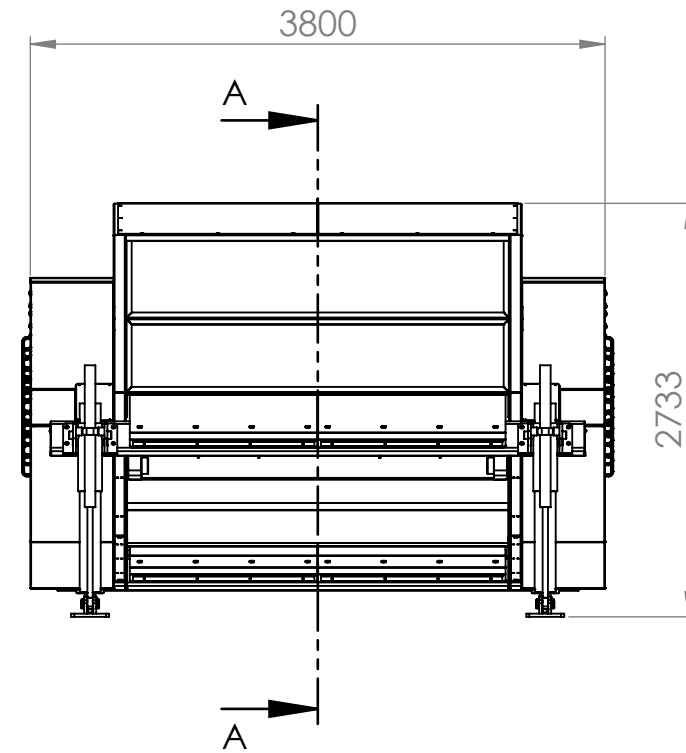
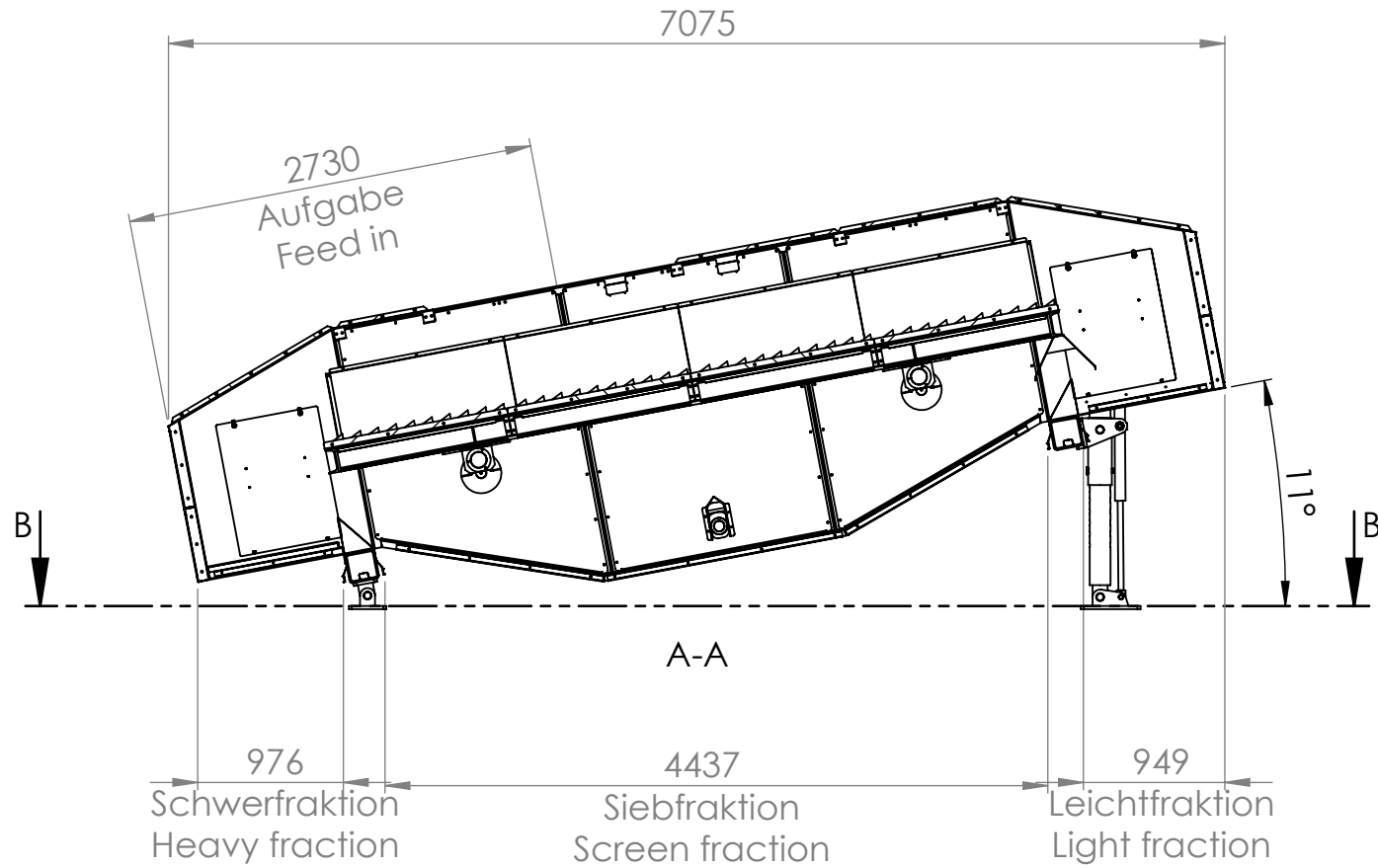
IMT SEPARATOR 40 / 40 light



TYP	WEIGHT	FLOW-RATE	MAX. MATERIAL DENSITY
IMT SEPARATOR 40 light	5000 kg	40 m ³ /h	250 kg/m ³
IMT SEPARATOR 40	6000 kg	40 m ³ /h	500 kg/m ³

Drawn	Date 30.05.2016	Name Konstruktion	
Surface 252.75m ²	Sheet size A3	IMT SEPARATOR	
			Höll 48 2870 Aspang +43 2642 / 20303-0

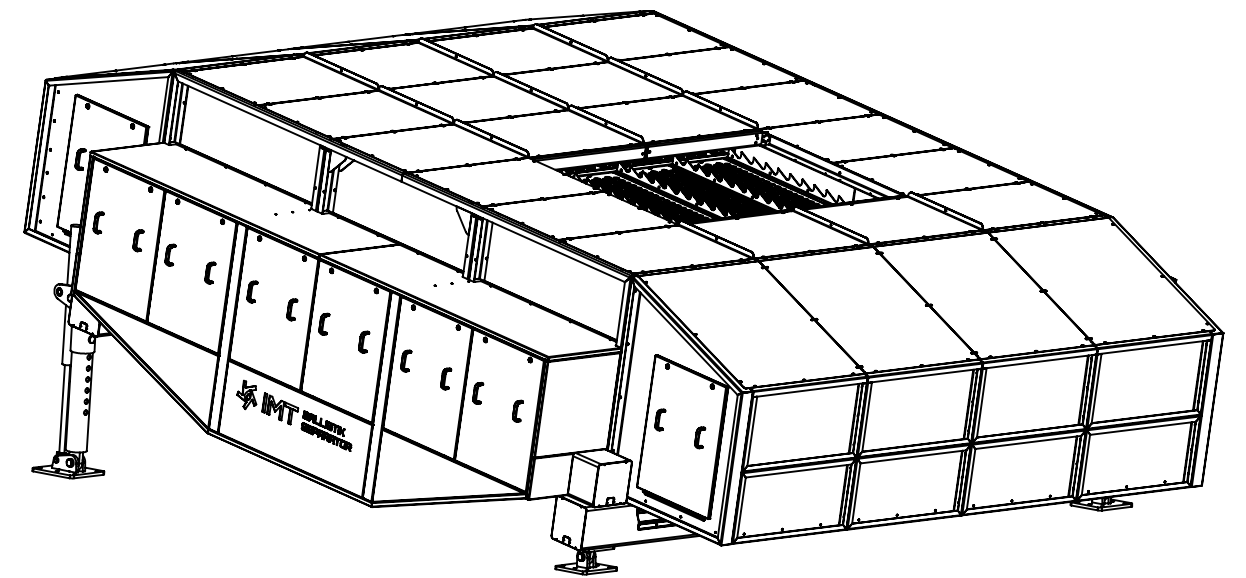
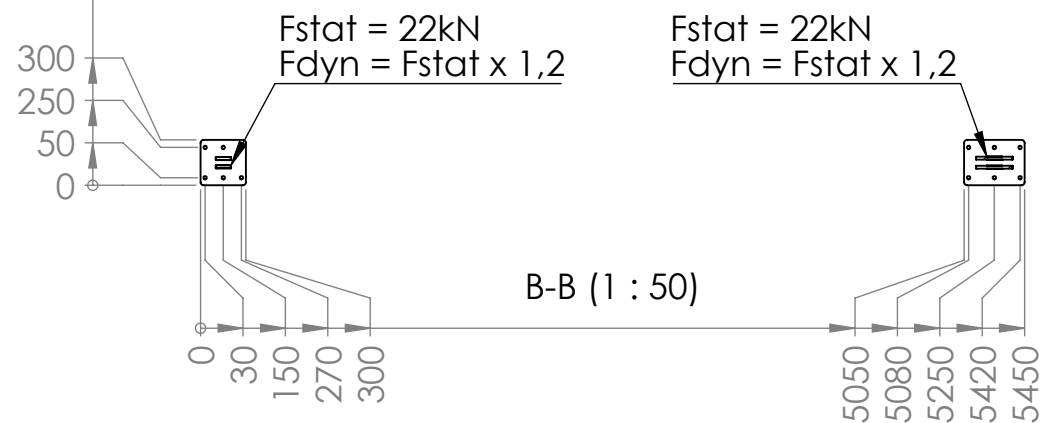
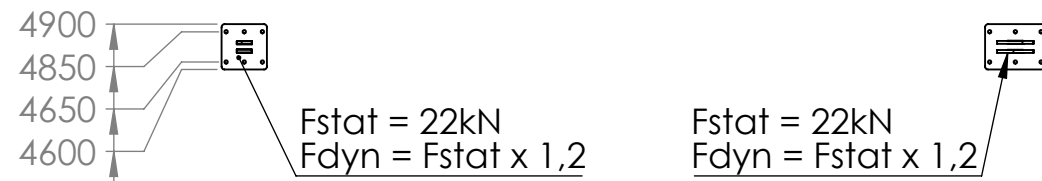
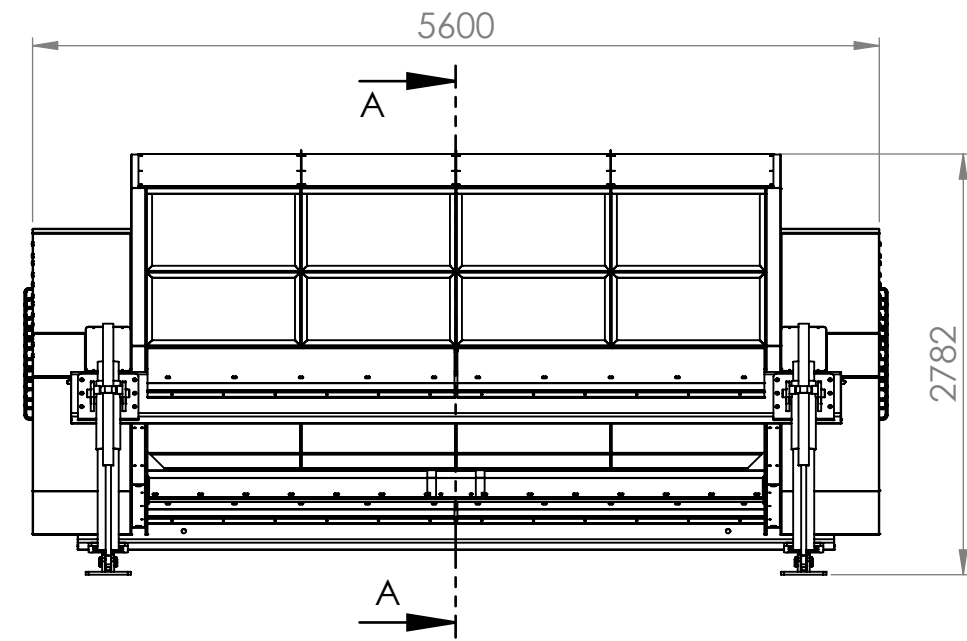
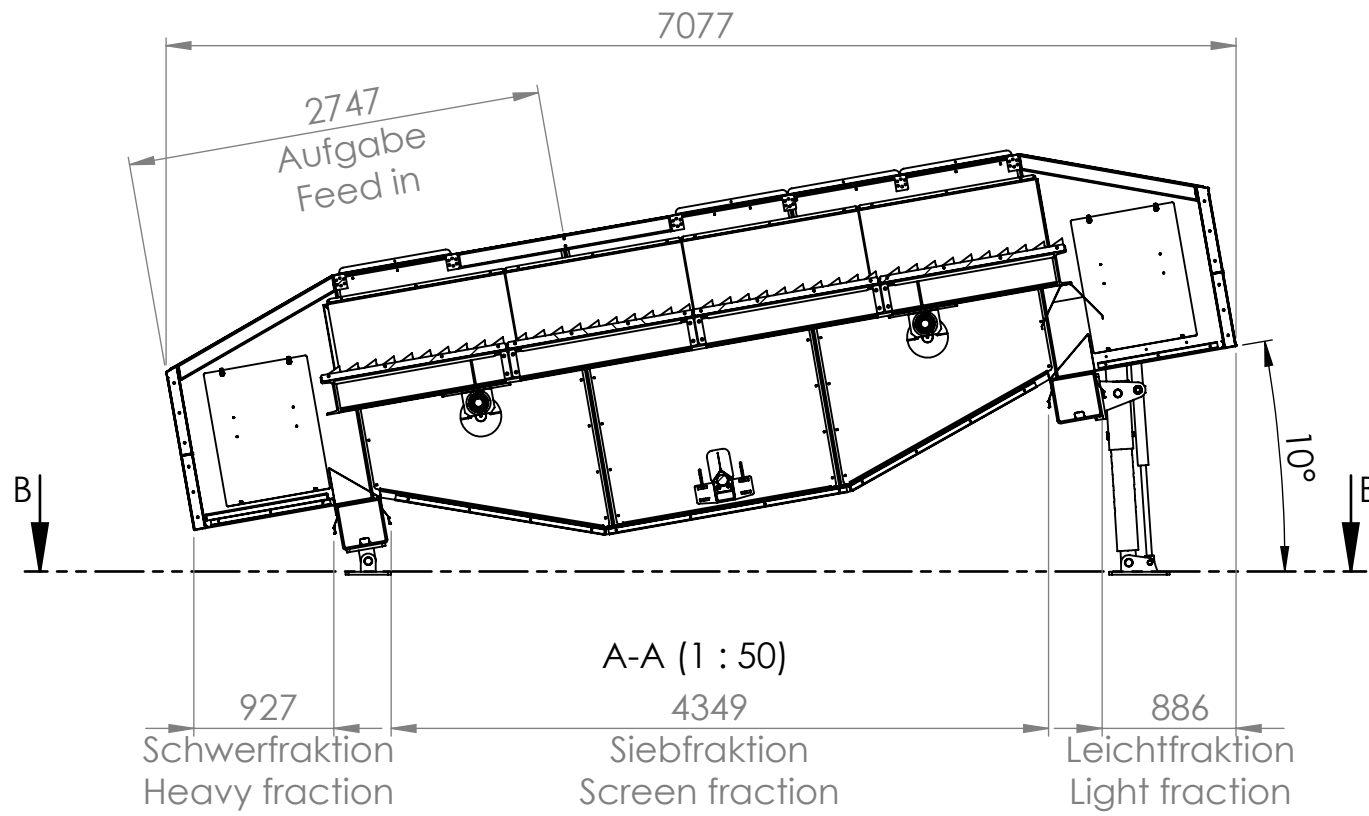
IMT SEPARATOR 80 / 80 light



TYP	WEIGHT	FLOW-RATE	MAX. MATERIAL DENSITY
IMT SEPARATOR 80 light	6000 kg	80 m ³ /h	250 kg/m ³
IMT SEPARATOR 80	7000 kg	80 m ³ /h	500 kg/m ³

Drawn	Date	Name	
	25.05.2016	Konstruktion	
Surface 310.23m ²	Sheet size A3	IMT SEPARATOR	
			Höll 48 2870 Aspang +43 2642 / 20303-0

IMT SEPARATOR 120 / 120 light



TYP	WEIGHT	FLOW-RATE	MAX. MATERIAL DENSITY
IMT SEPARATOR 120 light	9000 kg	120 m ³ /h	250 kg/m ³
IMT SEPARATOR 120	10000 kg	120 m ³ /h	500 kg/m ³

Drawn	Date 30.05.2016	Name Konstruktion	
Surface 437.89m ²	Sheet size A3	IMT SEPARATOR	
			Hüll 48 2870 Aspang +43 2642 / 20303-0